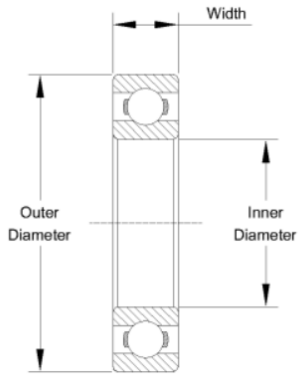




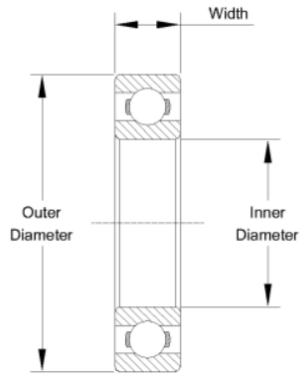
600 Series Miniature Bearings



Part Number	Bore diameter	Outside diameter	Width	Seal type	Ring material	Ball material	Limiting speed
68/0.6	0.6 mm	2.5 mm	1 mm	Open	Chrome Steel	Chrome Steel	128 X 1000 rpm
681	1 mm	3 mm	1 mm	Open	Chrome Steel	Chrome Steel	130 X 1000 rpm
691	1 mm	4 mm	1.6 mm	Open	Chrome Steel	Chrome Steel	100 X 1000 rpm
681x	1.5 mm	4 mm	1.2 mm	Open	Chrome Steel	Chrome Steel	100 X 1000 rpm
681xzz	1.5 mm	4 mm	2 mm	Shielded	Chrome Steel	Chrome Steel	100 X 1000 rpm
691x	1.5 mm	5 mm	2 mm	Open	Chrome Steel	Chrome Steel	85 X 1000 rpm
691xzz	1.5 mm	5 mm	2.6 mm	Shielded	Chrome Steel	Chrome Steel	85 X 1000 rpm
601x	1.5 mm	6 mm	2.5 mm	Open	Chrome Steel	Chrome Steel	75 X 1000 rpm
601xzz	1.5 mm	6 mm	3 mm	Shielded	Chrome Steel	Chrome Steel	75 X 1000 rpm
672	2 mm	4 mm	1.2 mm	Open	Chrome Steel	Chrome Steel	98 X 1000 rpm
672zz	2 mm	4 mm	2 mm	Shielded	Chrome Steel	Chrome Steel	98 X 1000 rpm
682	2 mm	5 mm	1.5 mm	Open	Chrome Steel	Chrome Steel	85 X 1000 rpm
682 2rs	2 mm	5 mm	2.3 mm	Sealed	Chrome Steel	Chrome Steel	85 X 1000 rpm
682zz	2 mm	5 mm	2.3 mm	Shielded	Chrome Steel	Chrome Steel	85 X 1000 rpm
692	2 mm	6 mm	2.3 mm	Open	Chrome Steel	Chrome Steel	75 X 1000 rpm
692 2rs	2 mm	6 mm	3 mm	Sealed	Chrome Steel	Chrome Steel	75 X 1000 rpm
692zz	2 mm	6 mm	3 mm	Shielded	Chrome Steel	Chrome Steel	75 X 1000 rpm
602	2 mm	7 mm	2.8 mm	Open	Chrome Steel	Chrome Steel	60 X 1000 rpm
602 2rs	2 mm	7 mm	3.5 mm	Sealed	Chrome Steel	Chrome Steel	60 X 1000 rpm
602zz	2 mm	7 mm	3.5 mm	Shielded	Chrome Steel	Chrome Steel	60 X 1000 rpm
682x	2.5 mm	6 mm	1.8 mm	Open	Chrome Steel	Chrome Steel	71 X 1000 rpm
682x 2rs	2.5 mm	6 mm	2.6 mm	Sealed	Chrome Steel	Chrome Steel	71 X 1000 rpm
682xzz	2.5 mm	6 mm	2.6 mm	Shielded	Chrome Steel	Chrome Steel	71 X 1000 rpm
692x	2.5 mm	7 mm	2.5 mm	Open	Chrome Steel	Chrome Steel	63 X 1000 rpm
692x 2rs	2.5 mm	7 mm	3.5 mm	Sealed	Chrome Steel	Chrome Steel	63 X 1000 rpm
692xzz	2.5 mm	7 mm	3.5 mm	Shielded	Chrome Steel	Chrome Steel	63 X 1000 rpm
602x	2.5 mm	8 mm	2.8 mm	Open	Chrome Steel	Chrome Steel	60 X 1000 rpm
602x 2rs	2.5 mm	8 mm	4 mm	Sealed	Chrome Steel	Chrome Steel	60 X 1000 rpm
602xzz	2.5 mm	8 mm	4 mm	Shielded	Chrome Steel	Chrome Steel	60 X 1000 rpm
683	3 mm	7 mm	2 mm	Open	Chrome Steel	Chrome Steel	63 X 1000 rpm



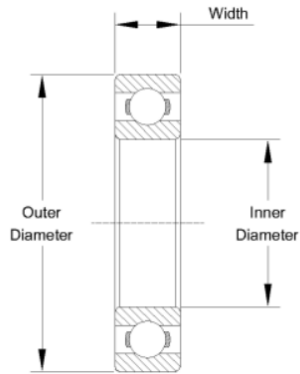
600 Series Miniature Bearings



Part Number	Bore diameter	Outside diameter	Width	Seal type	Ring material	Ball material	Limiting speed
683 2rs	3 mm	7 mm	3 mm	Sealed	Chrome Steel	Chrome Steel	63 X 1000 rpm
683zz	3 mm	7 mm	3 mm	Shielded	Chrome Steel	Chrome Steel	63 X 1000 rpm
693	3 mm	8 mm	3 mm	Open	Chrome Steel	Chrome Steel	60 X 1000 rpm
693 2rs	3 mm	8 mm	4 mm	Sealed	Chrome Steel	Chrome Steel	60 X 1000 rpm
693zz	3 mm	8 mm	4 mm	Shielded	Chrome Steel	Chrome Steel	60 X 1000 rpm
603	3 mm	9 mm	3 mm	Open	Chrome Steel	Chrome Steel	56 X 1000 rpm
603 2rs	3 mm	9 mm	5 mm	Sealed	Chrome Steel	Chrome Steel	56 X 1000 rpm
603zz	3 mm	9 mm	5 mm	Shielded	Chrome Steel	Chrome Steel	56 X 1000 rpm
623	3 mm	10 mm	4 mm	Open	Chrome Steel	Chrome Steel	50 X 1000 rpm
623 2rs	3 mm	10 mm	4 mm	Sealed	Chrome Steel	Chrome Steel	50 X 1000 rpm
623zz	3 mm	10 mm	4 mm	Shielded	Chrome Steel	Chrome Steel	50 X 1000 rpm
633	3 mm	13 mm	5 mm	Open	Chrome Steel	Chrome Steel	40 X 1000 rpm
633 2rs	3 mm	13 mm	5 mm	Sealed	Chrome Steel	Chrome Steel	40 X 1000 rpm
633zz	3 mm	13 mm	5 mm	Shielded	Chrome Steel	Chrome Steel	40 X 1000 rpm
684	4 mm	9 mm	2.5 mm	Open	Chrome Steel	Chrome Steel	53 X 1000 rpm
684 2rs	4 mm	9 mm	4 mm	Sealed	Chrome Steel	Chrome Steel	53 X 1000 rpm
684zz	4 mm	9 mm	4 mm	Shielded	Chrome Steel	Chrome Steel	53 X 1000 rpm
694	4 mm	11 mm	4 mm	Open	Chrome Steel	Chrome Steel	48 X 1000 rpm
694 2rs	4 mm	11 mm	4 mm	Sealed	Chrome Steel	Chrome Steel	48 X 1000 rpm
694zz	4 mm	11 mm	4 mm	Shielded	Chrome Steel	Chrome Steel	48 X 1000 rpm
604	4 mm	12 mm	4 mm	Open	Chrome Steel	Chrome Steel	48 X 1000 rpm
604 2rs	4 mm	12 mm	4 mm	Sealed	Chrome Steel	Chrome Steel	48 X 1000 rpm
604zz	4 mm	12 mm	4 mm	Shielded	Chrome Steel	Chrome Steel	48 X 1000 rpm
624	4 mm	13 mm	5 mm	Open	Chrome Steel	Chrome Steel	40 X 1000 rpm
624 2rs	4 mm	13 mm	5 mm	Sealed	Chrome Steel	Chrome Steel	40 X 1000 rpm
624zz	4 mm	13 mm	5 mm	Shielded	Chrome Steel	Chrome Steel	40 X 1000 rpm
634	4 mm	16 mm	5 mm	Open	Chrome Steel	Chrome Steel	36 X 1000 rpm
634 2rs	4 mm	16 mm	5 mm	Sealed	Chrome Steel	Chrome Steel	36 X 1000 rpm
634zz	4 mm	16 mm	5 mm	Shielded	Chrome Steel	Chrome Steel	36 X 1000 rpm
685	5 mm	11 mm	3 mm	Open	Chrome Steel	Chrome Steel	45 X 1000 rpm



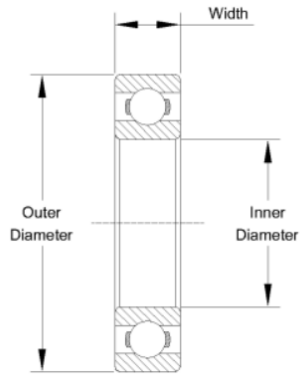
600 Series Miniature Bearings



Part Number	Bore diameter	Outside diameter	Width	Seal type	Ring material	Ball material	Limiting speed
685 2rs	5 mm	11 mm	5 mm	Sealed	Chrome Steel	Chrome Steel	45 X 1000 rpm
685zz	5 mm	11 mm	5 mm	Shielded	Chrome Steel	Chrome Steel	45 X 1000 rpm
695	5 mm	13 mm	4 mm	Open	Chrome Steel	Chrome Steel	43 X 1000 rpm
695 2rs	5 mm	13 mm	4 mm	Sealed	Chrome Steel	Chrome Steel	43 X 1000 rpm
695zz	5 mm	13 mm	4 mm	Shielded	Chrome Steel	Chrome Steel	43 X 1000 rpm
605	5 mm	14 mm	5 mm	Open	Chrome Steel	Chrome Steel	40 X 1000 rpm
605 2rs	5 mm	14 mm	5 mm	Sealed	Chrome Steel	Chrome Steel	40 X 1000 rpm
605zz	5 mm	14 mm	5 mm	Shielded	Chrome Steel	Chrome Steel	40 X 1000 rpm
625	5 mm	16 mm	5 mm	Open	Chrome Steel	Chrome Steel	36 X 1000 rpm
625 2rs	5 mm	16 mm	5 mm	Sealed	Chrome Steel	Chrome Steel	36 X 1000 rpm
625zz	5 mm	16 mm	5 mm	Shielded	Chrome Steel	Chrome Steel	36 X 1000 rpm
635	5 mm	19 mm	6 mm	Open	Chrome Steel	Chrome Steel	32 X 1000 rpm
635 2rs	5 mm	19 mm	6 mm	Sealed	Chrome Steel	Chrome Steel	32 X 1000 rpm
635zz	5 mm	19 mm	6 mm	Shielded	Chrome Steel	Chrome Steel	32 X 1000 rpm
686	6 mm	13 mm	3.5 mm	Open	Chrome Steel	Chrome Steel	40 X 1000 rpm
686 2rs	6 mm	13 mm	5 mm	Sealed	Chrome Steel	Chrome Steel	40 X 1000 rpm
686zz	6 mm	13 mm	5 mm	Shielded	Chrome Steel	Chrome Steel	40 X 1000 rpm
696	6 mm	15 mm	5 mm	Open	Chrome Steel	Chrome Steel	40 X 1000 rpm
696 2rs	6 mm	15 mm	5 mm	Sealed	Chrome Steel	Chrome Steel	40 X 1000 rpm
696zz	6 mm	15 mm	5 mm	Shielded	Chrome Steel	Chrome Steel	40 X 1000 rpm
606	6 mm	17 mm	6 mm	Open	Chrome Steel	Chrome Steel	38 X 1000 rpm
606 2rs	6 mm	17 mm	6 mm	Sealed	Chrome Steel	Chrome Steel	38 X 1000 rpm
606zz	6 mm	17 mm	6 mm	Shielded	Chrome Steel	Chrome Steel	38 X 1000 rpm
626	6 mm	19 mm	6 mm	Open	Chrome Steel	Chrome Steel	32 X 1000 rpm
626 2rs	6 mm	19 mm	6 mm	Sealed	Chrome Steel	Chrome Steel	32 X 1000 rpm
626zz	6 mm	19 mm	6 mm	Shielded	Chrome Steel	Chrome Steel	32 X 1000 rpm
636	6 mm	22 mm	7 mm	Open	Chrome Steel	Chrome Steel	30 X 1000 rpm
636 2rs	6 mm	22 mm	7 mm	Sealed	Chrome Steel	Chrome Steel	30 X 1000 rpm
636zz	6 mm	22 mm	7 mm	Shielded	Chrome Steel	Chrome Steel	30 X 1000 rpm
687	7 mm	14 mm	3.5 mm	Open	Chrome Steel	Chrome Steel	40 X 1000 rpm



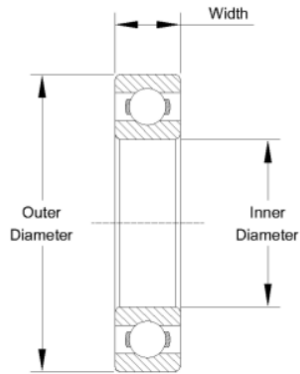
600 Series Miniature Bearings



Part Number	Bore diameter	Outside diameter	Width	Seal type	Ring material	Ball material	Limiting speed
687 2rs	7 mm	14 mm	5 mm	Sealed	Chrome Steel	Chrome Steel	40 X 1000 rpm
687zz	7 mm	14 mm	5 mm	Shielded	Chrome Steel	Chrome Steel	40 X 1000 rpm
697	7 mm	17 mm	5 mm	Open	Chrome Steel	Chrome Steel	36 X 1000 rpm
697 2rs	7 mm	17 mm	5 mm	Sealed	Chrome Steel	Chrome Steel	36 X 1000 rpm
697zz	7 mm	17 mm	5 mm	Shielded	Chrome Steel	Chrome Steel	36 X 1000 rpm
607	7 mm	19 mm	6 mm	Open	Chrome Steel	Chrome Steel	36 X 1000 rpm
607 2rs	7 mm	19 mm	6 mm	Sealed	Chrome Steel	Chrome Steel	36 X 1000 rpm
607zz	7 mm	19 mm	6 mm	Shielded	Chrome Steel	Chrome Steel	36 X 1000 rpm
627	7 mm	22 mm	7 mm	Open	Chrome Steel	Chrome Steel	30 X 1000 rpm
627 2rs	7 mm	22 mm	7 mm	Sealed	Chrome Steel	Chrome Steel	30 X 1000 rpm
627zz	7 mm	22 mm	7 mm	Shielded	Chrome Steel	Chrome Steel	30 X 1000 rpm
637	7 mm	26 mm	9 mm	Open	Chrome Steel	Chrome Steel	28 X 1000 rpm
637 2rs	7 mm	26 mm	9 mm	Sealed	Chrome Steel	Chrome Steel	28 X 1000 rpm
637zz	7 mm	26 mm	9 mm	Shielded	Chrome Steel	Chrome Steel	28 X 1000 rpm
688	8 mm	16 mm	4 mm	Open	Chrome Steel	Chrome Steel	36 X 1000 rpm
688 2rs	8 mm	16 mm	5 mm	Sealed	Chrome Steel	Chrome Steel	36 X 1000 rpm
688zz	8 mm	16 mm	5 mm	Shielded	Chrome Steel	Chrome Steel	36 X 1000 rpm
698	8 mm	19 mm	6 mm	Open	Chrome Steel	Chrome Steel	36 X 1000 rpm
698 2rs	8 mm	19 mm	6 mm	Sealed	Chrome Steel	Chrome Steel	36 X 1000 rpm
698zz	8 mm	19 mm	6 mm	Shielded	Chrome Steel	Chrome Steel	36 X 1000 rpm
608	8 mm	22 mm	7 mm	Open	Chrome Steel	Chrome Steel	34 X 1000 rpm
608 2rs	8 mm	22 mm	7 mm	Sealed	Chrome Steel	Chrome Steel	34 X 1000 rpm
608zz	8 mm	22 mm	7 mm	Shielded	Chrome Steel	Chrome Steel	34 X 1000 rpm
628	8 mm	24 mm	8 mm	Open	Chrome Steel	Chrome Steel	28 X 1000 rpm
628 2rs	8 mm	24 mm	8 mm	Sealed	Chrome Steel	Chrome Steel	28 X 1000 rpm
628zz	8 mm	24 mm	8 mm	Shielded	Chrome Steel	Chrome Steel	28 X 1000 rpm
638	8 mm	28 mm	9 mm	Open	Chrome Steel	Chrome Steel	28 X 1000 rpm
638 2rs	8 mm	28 mm	9 mm	Sealed	Chrome Steel	Chrome Steel	28 X 1000 rpm
638zz	8 mm	28 mm	9 mm	Shielded	Chrome Steel	Chrome Steel	28 X 1000 rpm
679	9 mm	14 mm	3 mm	Open	Chrome Steel	Chrome Steel	36 X 1000 rpm



600 Series Miniature Bearings



Part Number	Bore diameter	Outside diameter	Width	Seal type	Ring material	Ball material	Limiting speed
679 2rs	9 mm	14 mm	4.5 mm	Sealed	Chrome Steel	Chrome Steel	36 X 1000 rpm
679zz	9 mm	14 mm	4.5 mm	Shielded	Chrome Steel	Chrome Steel	36 X 1000 rpm
689	9 mm	17 mm	4 mm	Open	Chrome Steel	Chrome Steel	36 X 1000 rpm
689 2rs	9 mm	17 mm	5 mm	Sealed	Chrome Steel	Chrome Steel	36 X 1000 rpm
689zz	9 mm	17 mm	5 mm	Shielded	Chrome Steel	Chrome Steel	36 X 1000 rpm
699	9 mm	20 mm	6 mm	Open	Chrome Steel	Chrome Steel	34 X 1000 rpm
699 2rs	9 mm	20 mm	6 mm	Sealed	Chrome Steel	Chrome Steel	34 X 1000 rpm
699zz	9 mm	20 mm	6 mm	Shielded	Chrome Steel	Chrome Steel	34 X 1000 rpm
609	9 mm	24 mm	7 mm	Open	Chrome Steel	Chrome Steel	32 X 1000 rpm
609 2rs	9 mm	24 mm	7 mm	Sealed	Chrome Steel	Chrome Steel	32 X 1000 rpm
609zz	9 mm	24 mm	7 mm	Shielded	Chrome Steel	Chrome Steel	32 X 1000 rpm
629	9 mm	26 mm	8 mm	Open	Chrome Steel	Chrome Steel	28 X 1000 rpm
629 2rs	9 mm	26 mm	8 mm	Sealed	Chrome Steel	Chrome Steel	28 X 1000 rpm
629zz	9 mm	26 mm	8 mm	Shielded	Chrome Steel	Chrome Steel	28 X 1000 rpm
639	9 mm	30 mm	10 mm	Open	Chrome Steel	Chrome Steel	24 X 1000 rpm
639 2rs	9 mm	30 mm	10 mm	Sealed	Chrome Steel	Chrome Steel	24 X 1000 rpm
639zz	9 mm	30 mm	10 mm	Shielded	Chrome Steel	Chrome Steel	24 X 1000 rpm